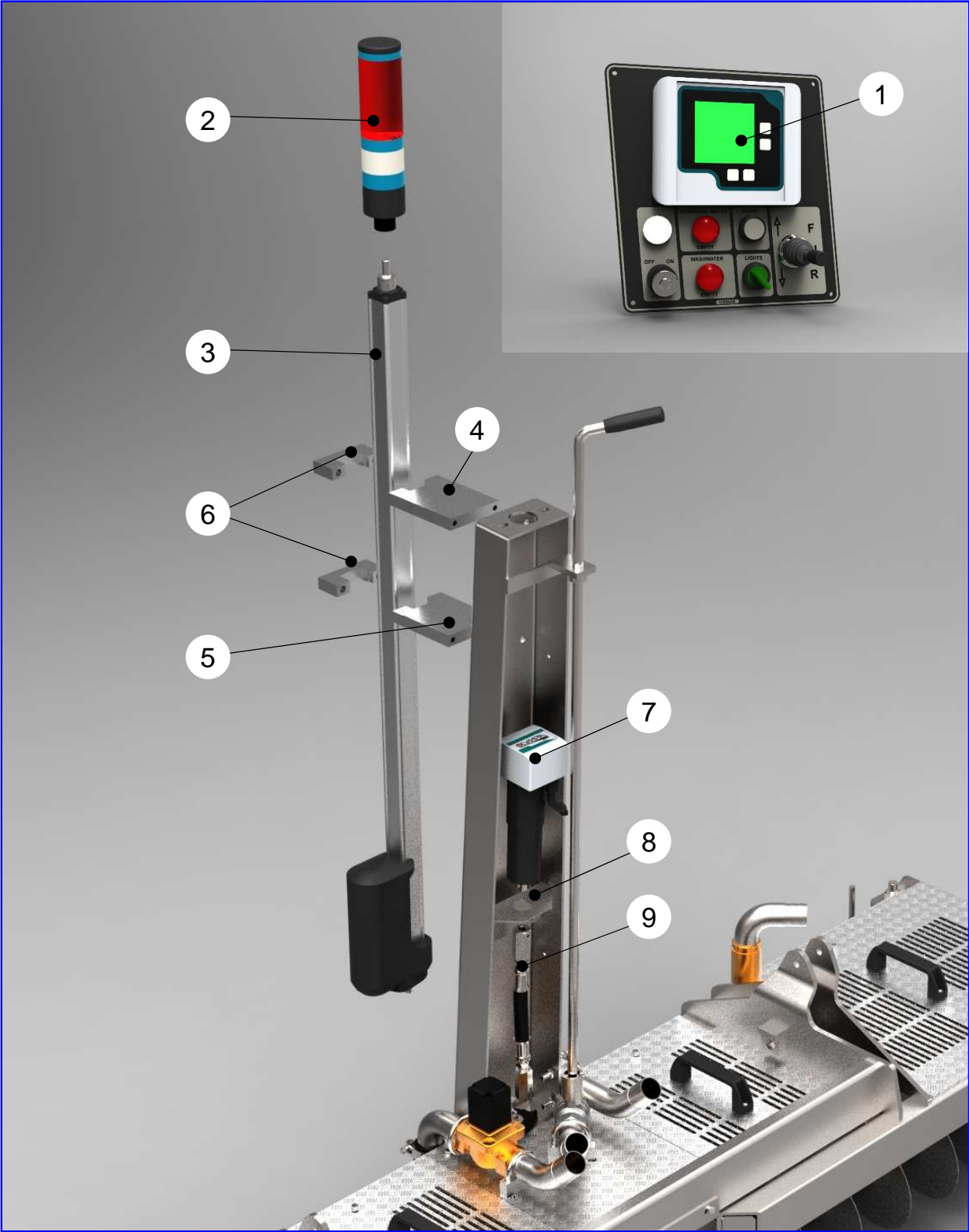


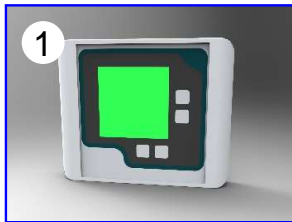


16.2 Laser Transmitter unit

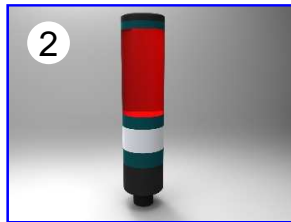
16.1 Laser Receiver unit



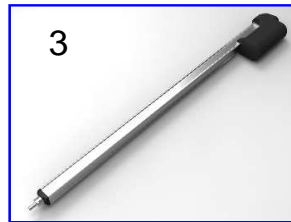
## Laser Receiver unit



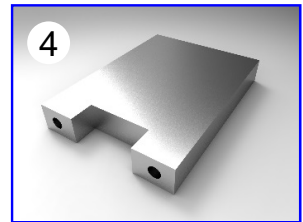
Laser Controller  
Art.Nr.02130081000



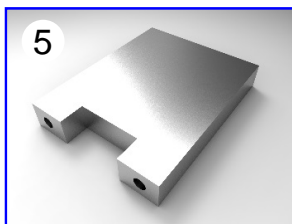
Receiver  
Art.Nr. 02130041000



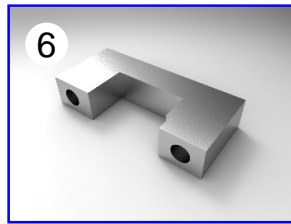
Actuator  
Art.Nr. 02130221000



Upper Actuator bracket  
Art.Nr. 02130221002



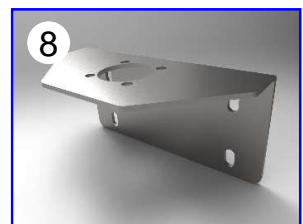
Lower Actuator bracket  
Art.Nr. 02130221004



Actuator clamp  
Art.Nr. 02130221006



Adjustment motor  
Art.Nr. 02130061000



Motor bracket  
Art.Nr. 02131220000



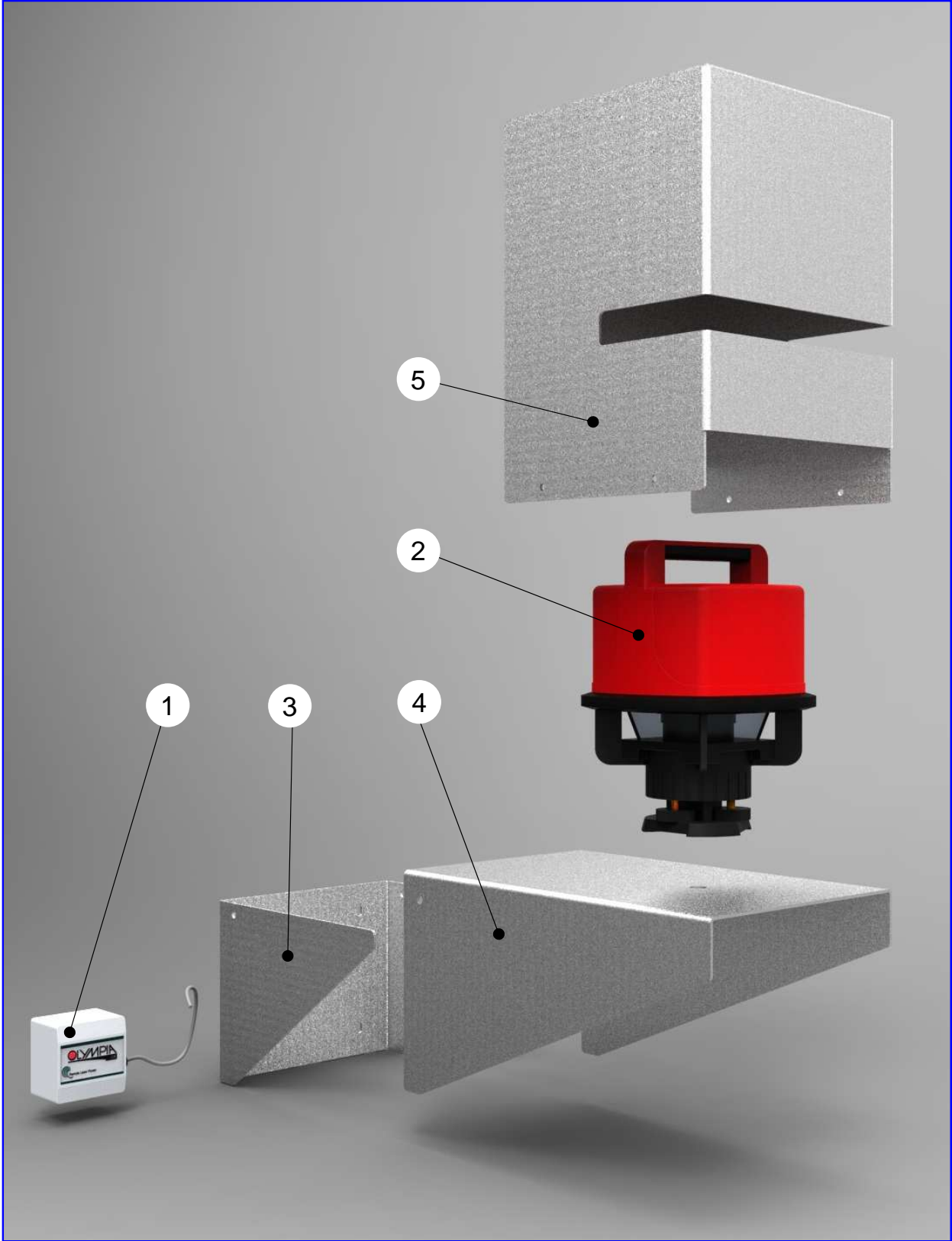
Motor coupling  
Art.Nr. 02131041000



Emergency  
Adjustment Crank  
Art.Nr.02131321000



Laser Converter  
Art.Nr. 02130200000



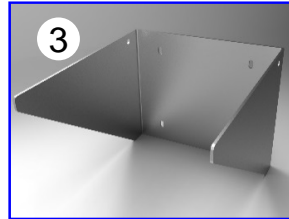
## Laser Transmitter unit



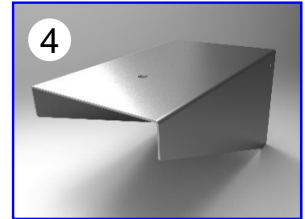
1  
Laser Power Remote  
Art.Nr. 02130021004



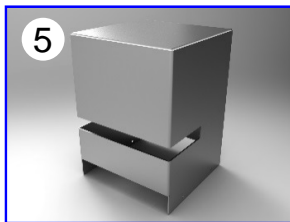
2  
Transmitter  
Art.Nr. 02130021000



3  
Wall mounting  
Art.Nr. 02131260000



4  
Transmitter bracket  
Art.Nr. 02131280000



5  
Transmitter cover  
Art.Nr. 02131300000



Power Supply  
Art.Nr. 02130021002